

Return line filters

TTU



MATERIALS

Head & cover:
Die cast alluminum alloy

Bowl:
Polyamide 66

Seals:
Nitrile (buna n)

Indicator housing:
Brass



PRESSURE

Max working:
300 kPa (3 bar)

Test:
500 kPa (5 bar)

Bursting:
1 MPa (10 bar)

Collapse, differential
for the filter element : 300 kPa (3 bar)

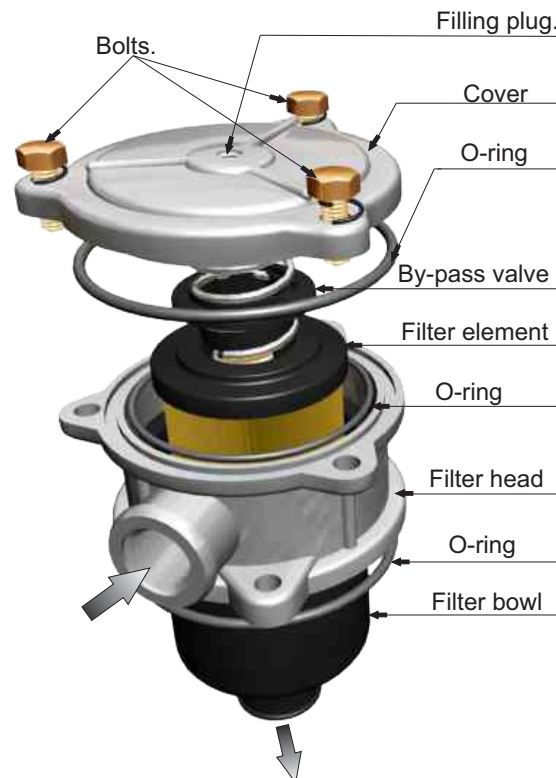
BYPASS VALVE
170 kPa (1.7 bar)+/- 10%

WORKING TEMPERATURE

From -25° to +110° C

COMPATIBILITY

Full with fluids:
HH-HL-HM-HR-HV-HG



VISUAL CLOGGING INDICATOR

A visual clogging indicator allows monitoring of the element condition and provides maximum element life by indicating the exact time for the element replacement.

FILLING PLUG

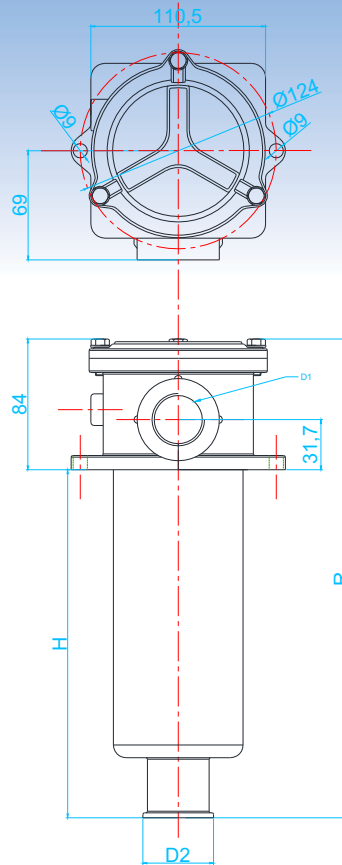
The Filling plug option gives the possibility of easily and efficiently filtering the oil from the tank.

EASY REPLACEMENT

The top end cap includes a handle allowing an easy removal of the element and a complete cleaning of the bowl.

NO LEAKS

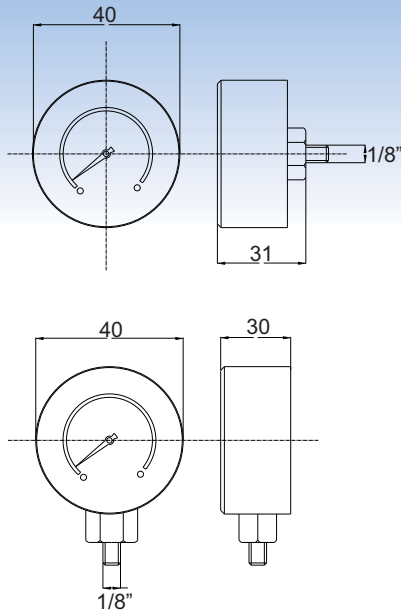
The end cap with captive O-ring ensures a perfect seal between filter element and the bowl.



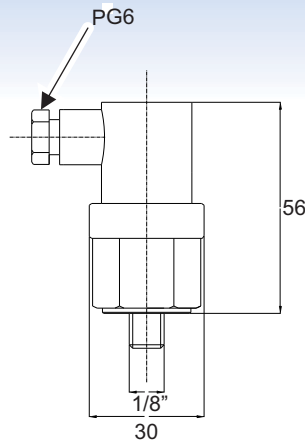
FILTER HOUSING					
	D1	D2	H	R	kg
TTU31	3/4" - 1" - 1" 1/4	27	106	165	0.95
TTU32	3/4" - 1" - 1" 1/4	27	152	205	1.10
TTU33	3/4" - 1" - 1" 1/4	40	235	285	1.25

FFP PRODUCTS (HYDRAULICS DIVISION)

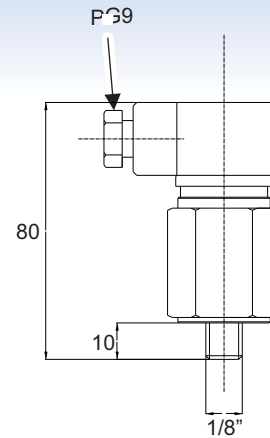
17, SAI NIKETAN, CHANDAVARKAR LANE, BORIVALI WEST,
 MUMBAI 400 092, MAHARASHTRA, INDIA
 Tel: +91 22 28925607 Fax: +91 22 28904071
 e-mail: info@ffpproducts.com - http://www.ffpproducts.com



Series F30 (rear connection) & series F32 (bottom connection):
pressure gauge,
scale 0 - 600 kPa (0 - 6 bar)



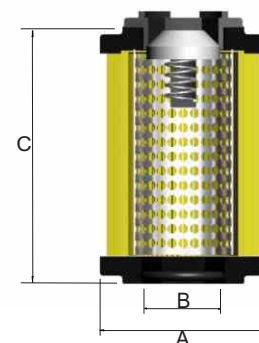
Series F80 (N.O. contacts) & series F81 (N.C. contacts):
pressure switch,
max voltage 220 Vca 50-60 Hz
max current 0,5A resistive, 0,25A inductive
switching power 100 VA,
setting 150 kPa (1,5 bar)
protection IP65.



Series FP1:
SPDT, pressure switch
max voltage 250V - 50Hz
max current 6A resistive, 1A inductive
protection IP65
setting 150 kPa (1,5 bar)

FILTER ELEMENT

	A	B	C	kg	Area (cm ²)	
					Media F+	Media C+
TTUE31	70	28	85	0,20	620	990
TTUE32	70	28	130	0,25	1.000	1.600
TTUE33	70	40	210	0,40	1.660	2.670



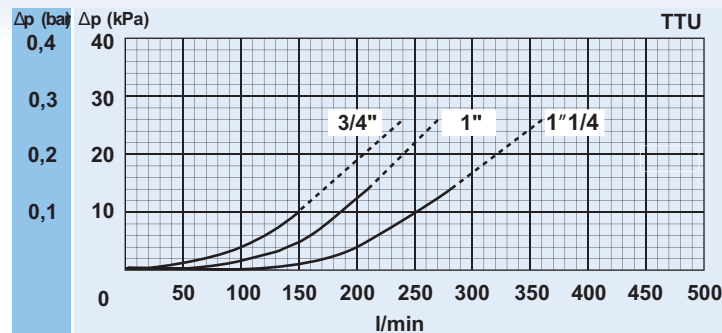
FFP PRODUCTS (HYDRAULICS DIVISION)

17, SAI NIKETAN, CHANDAVARKAR LANE, BORIVALI WEST,
MUMBAI 400 092, MAHARASHTRA, INDIA
Tel: +91 22 28925607 Fax: +91 22 28904071
e-mail: info@ffpproducts.com - <http://www.ffpproducts.com>

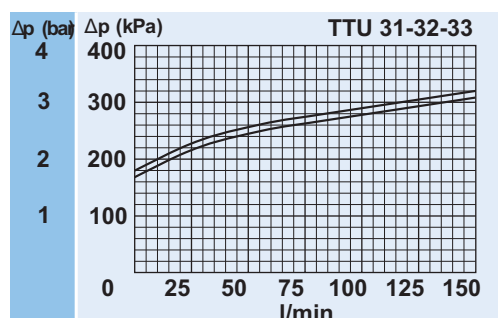
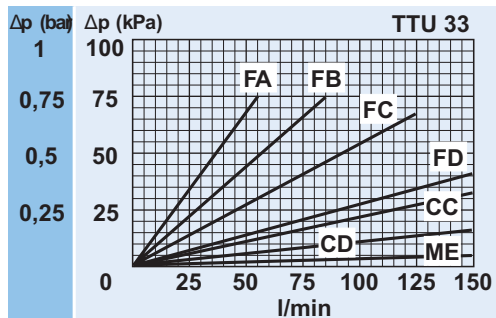
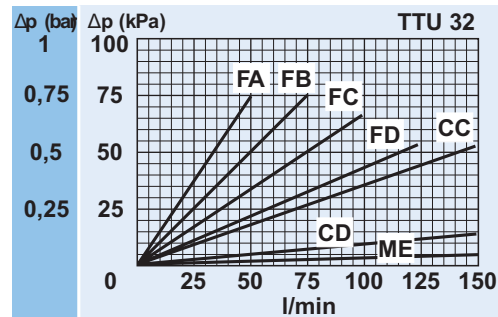
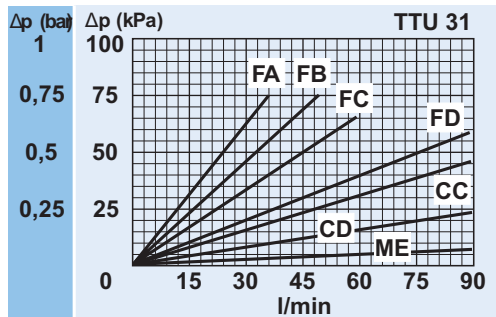
PRESSURE DROP CURVES (Δp)

The "Assembly Pressure Drop (Δp)" is obtained by adding the pressure drop values of the Filter Housing and of the Clean Filter Element corresponding to the considered Flow Rate and it must be lower than 50 kPa (0,5 bar).

FILTER HOUSING PRESSURE DROP (mainly depending on the port size)



CLEAN FILTER ELEMENT PRESSURE DROP WITH F+, C+ AND ME MEDIA



BYPASS VALVE PRESSURE DROP

FFP PRODUCTS (HYDRAULICS DIVISION)

17, SAI NIKETAN, CHANDAVARKAR LANE, BORIVALI WEST,
MUMBAI 400 092, MAHARASHTRA, INDIA
Tel: +91 22 28925607 Fax: +91 22 28904071
e-mail: info@ffpproducts.com - <http://www.ffpproducts.com>

TYPE						
F = FILTER COMPLETE		T	T	T		
B = FILTER HOUSING		B	B	B	ELEMENT	E
T	U	FAMILY,			FAMILY SIZE & LENGTH	T U
NOMINAL SIZE & LENGTH		31	32	33		
PORT TYPE						
B = BSP thread		B	B	B		
A = BSP thread (double port A08 only)		A	A	A		
N = NPT thread		N	N	N		
S = SAE thread		S	S	S		
PORT SIZE						
06 = 3/4"		06	06	06		
08 = 1"		08	08	08		
10 = 1 1/4"		10	10	10		
B	BYPASS VALV E					
B = 170 kPa (1,7 bar)		B	B	B		
SEALS					SEALS	
N = NBR Nitrile		N	N	N	N = NBR	
F = FKM Fluoroelastomer		F	F	F	F = FKM	
FILTER MEDIA					FILTER MEDIA	
FA = fiber 5 $\mu\text{m}_{(e)}$ $\beta > 1.000$		FA	FA	FA	FA = fiber 5 μm	
FB = fiber 7 $\mu\text{m}_{(e)}$ $\beta > 1.000$		FB	FB	FB	FB = fiber 7 μm	
FC = fiber 12 $\mu\text{m}_{(e)}$ $\beta > 1.000$		FC	FC	FC	FC = fiber 12 μm	
FD = fiber 21 $\mu\text{m}_{(e)}$ $\beta > 1.000$		FD	FD	FD	FD = fiber 21 μm	
CC = cellulose 10 μm $\beta > 2$		CC	CC	CC	CC = cellulose 10 μm	
CD = cellulose 25 μm $\beta > 2$		CD	CD	CD	CD = cellulose 25 μm	
ME = wire mesh 60 μm		ME	ME	ME	ME = wire mesh 60 μm	
CLOGGING INDICATOR						
05 = nr. 2 x 1/8" ports, plugged		05	05	05		
30 = pressure gauge, rear connection		30	30	30		
P1 = SPDT, pressure switch		P1	P1	P1		
ACCESSORIES						
W = without		W	W	W		
P = with filling plug		P	P	P		