

Air Breathers with Spin on Cartridge

TS

MATERIALS

Adaptor: zinc plated steel

Basket: zinc plated steel

Cartridge can: steel

Filter media:

CL =Cellulose

IF = Inorganic fiber

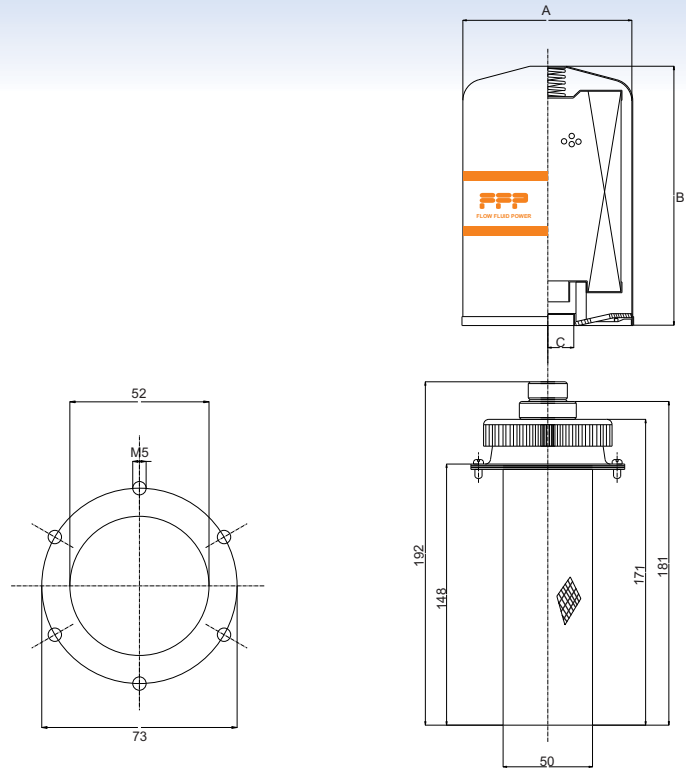
Filtration degree (in air): 3µm

COMPATIBILITY

Full with fluids HH - HL - HM - HR - HV - HG
(according to ISO 6743/4).

WORKING TEMPERATURE

From -25°C to 110°C



HYDRAULIC ACCESSORIES

Cellulose = CL Inorganic fiber = IF		Flow rate (l/min)	A	B	C	Spare cartridge
FTS01FWC	<input type="checkbox"/> <input type="checkbox"/>	1.800	95	145	3/4" BSP	FSE01N <input type="checkbox"/> <input type="checkbox"/>
FTS03FWC	<input type="checkbox"/> <input type="checkbox"/>	2.800	129	181	1 1/4" BSP	FSE03N <input type="checkbox"/> <input type="checkbox"/>

All dimensions are in mm or otherwise stated

FFP PRODUCTS (HYDRAULICS DIVISION)

17, SAI NIKETAN, CHANDAVARKAR LANE, BORIVALI WEST,
MUMBAI 400 092, MAHARASHTRA, INDIA
Tel: +91 22 28925607 Fax: +91 22 28904071
e-mail: info@ffpproducts.com - http://www.ffpproducts.com