

Suction filters

FSF



MATERIALS

Support tube:
Steel

End caps :
Polyamide 66

Support Frame:
expanded metal

Filter Head:
Die cast Aluminium

Filter Cover:
Polyamide 66

Seals:
Nitrile (buna n)

Indicator housing:
Brass

Bypass valve :
Polyamide 66

PRESSURE

Collapse, differential
for the filter element : 1 MPa (10 bar)

BYPASS VALVE

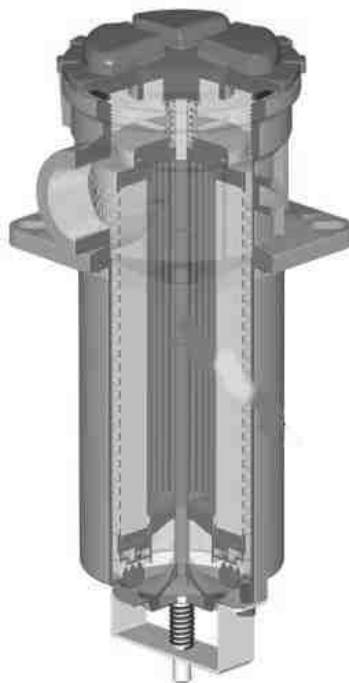
35 kPa (0.35 bar)+/- 10%

WORKING TEMPERATURE

From -25° to +110° C

COMPATIBILITY

Full with fluids:
HH-HL-HM-HR-HV-HG



VISUAL CLOGGING INDICATOR

A visual clogging indicator allows monitoring of the element condition and provides maximum element life by indicating the exact time for the element replacement.

EASY REPLACEMENT

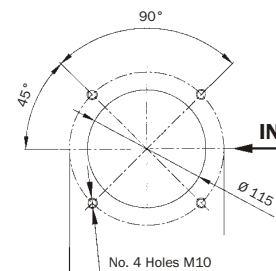
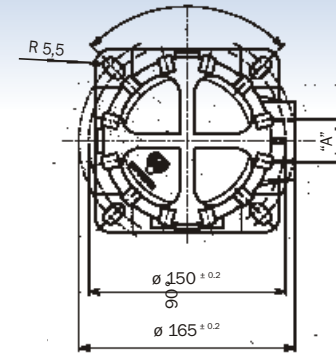
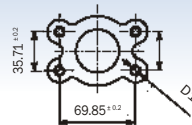
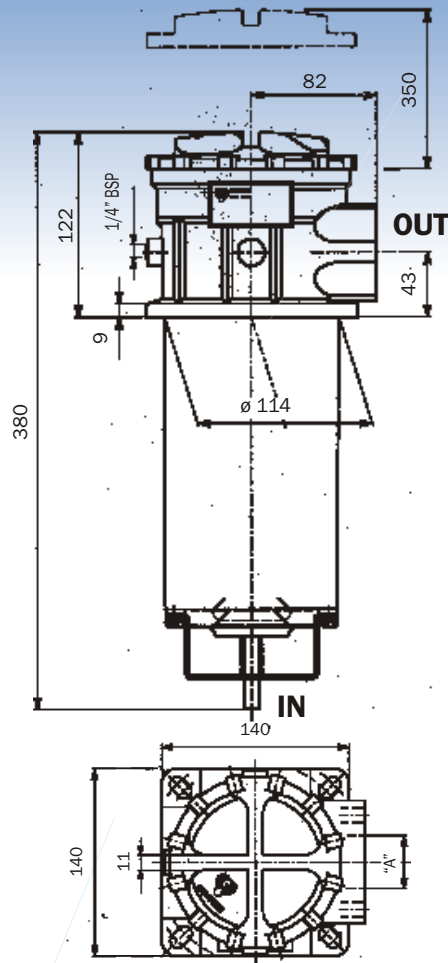
The top end cap helps an easy removal of the element and a complete cleaning of the bowl.

NO LEAKS

The top end cap with captive O-ring ensures a perfect seal between filter housing and the cover.

FFP PRODUCTS (HYDRAULICS DIVISION)

17,SAI NIKETAN, CHANDAVARKAR LANE, BORIVALI WEST,
MUMBAI 400 092, MAHARASHTRA, INDIA
Tel: +91 22 28925607 Fax: +91 22 28904071
e-mail: info@ffpproducts.com - <http://www.ffpproducts.com>



H

FSF2 250 Size

Filter element	Flow rate l/min option 1"	Flow rate l/min option 1 1/4"	Flow rate l/min option 1 1/2"	Weight kg
M25	100	140	140	2.7
M60	100	145	150	
M90	100	150	160	
M250	100	150	160	

Flow rates are based using a mineral oil fluid at 30 mm²/s.
Weight including filter element

Thread connections

Type	A	Type	A
G1	1 1/2" BSP	G6	SAE 20
G2	1 1/2" NPT	G7	1" BSP
G3	SAE 24	G8	1" NPT
G4	1 1/4" BSP	G9	SAE 16
G5	1 1/4" NPT		

Flange connections

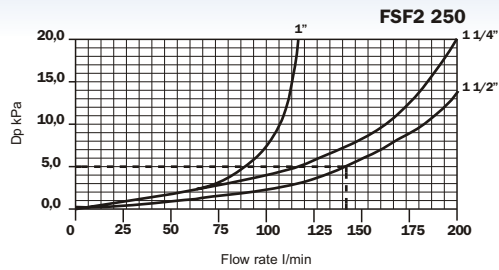
Type	A	D1
F1	1 1/2" SAE 3000PSI/M	M12
F2	1 1/2" SAE 3000PSI/UNC	1/2" UNC

FFP PRODUCTS (HYDRAULICS DIVISION)

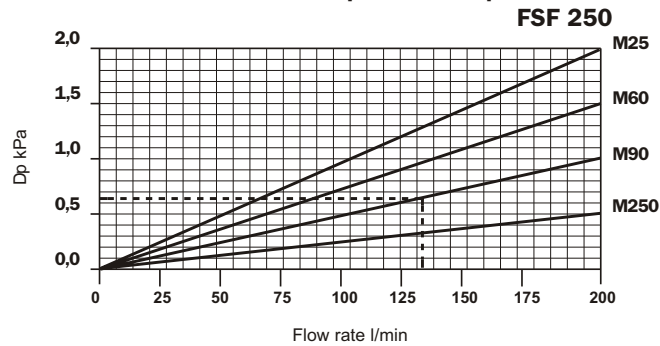
17, SAI NIKETAN, CHANDAVARKAR LANE, BORIVALI WEST,
MUMBAI 400 092, MAHARASHTRA, INDIA
Tel: +91 22 28925607 Fax: +91 22 28904071
e-mail: info@ffpproducts.com - http://www.ffpproducts.com

The assembly Pressure drop(Δp) is obtained by adding the pressure drop values of the filter housing and the clean filter element corresponding to the considered flow rate lower than 80 kPa (0.08 bar).

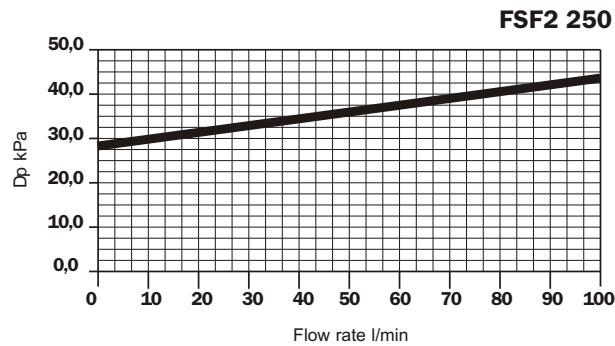
Filter housing pressure drop



Filter element pressure drop



By-pass valve pressure drop



Filter Assembly

FSF2 250 A G1 H M25 V

Nominal size

250

Seals

A	Nitrile (Buna-N)
V	Viton

Port option

Type	FSF2 250
G1	1 1/2" BSP
G3	SAE 4
G4	1 1/4" BSP
G5	1 1/4" NPT
G6	SAE 20
G7	1" BSP
G8	1" NPT
G9	SAE 16
F1	1 1/2" SAE 3000 PSI/M
F2	1 1/2" SAE 3000 PSI/UNC

Filter condition indicator

S	with threaded hole
T1	With hole + plug
V0	Visual (axial vacuumeter)
V	visual (radial vacuumeter)
E1	Electrical (change-over contacts vacuumeter)

Options

H	Without By-pass, without magnet
R	With By-pass and magnet
S	With By-pass, without magnet
Q	Without By-pass and magnet

Filter elements

M25	Square wire mesh
M60	
M90	
M250	

Seals (only for filter elements)

N	Buna N
V	Viton

FSF 250 M25 N

Replacement filter element

FFP PRODUCTS (HYDRAULICS DIVISION)

17,SAI NIKETAN, CHANDAVARKAR LANE, BORIVALI WEST,
MUMBAI 400 092, MAHARASHTRA, INDIA
Tel: +91 22 28925607 Fax: +91 22 28904071
e-mail: info@ffpproducts.com - http://www.ffpproducts.com