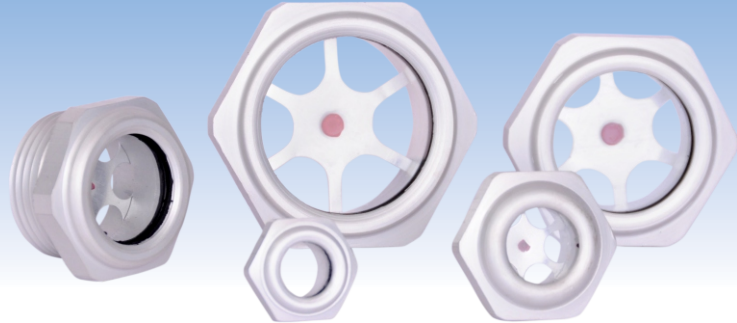


**TECHNICAL DATA:**

M.O.C : Extruded aluminium.  
 Glass/Polycarbonate,  
 Reflector : Anodized Aluminium.  
 Seals : NBR  
 Max pressure : 1.5 Bar

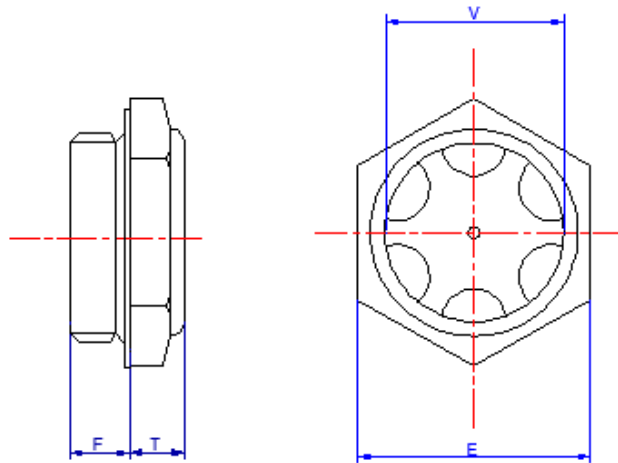
**OPTIONAL :**

High Pressure.  
 Threads on request.



**STOCK SIZES :**

1/4" BSP/NPT TO 2" BSP/NPT  
 M12 TO M48



PART NO	THREADS	f	t	v	e	PART NO	THREADS	f	t	v	e
FTLAN1G	1/4"	8	7	10	17	FTLAN1M	M14 x 1.5	8	7	10	17
FTLA2G	3/8"	9	7	13	22	FTLA2M	M16 x 1.5	9	7	13	22
FTLA3G	1/2"	10	9	16	27	FTLA3M	M18 x 1.5	9	7	13	22
FTLA4G	3/4"	11	9	21	32	FTLA4M	M20 x 1.5	10	7	16	24
FTLA5G	1"	14	10	27	40	FTLA5M	M22 x 1.5	10	9	16	27
FTLA6G	1.1/4"	15	10	37	50	FTLA6M	M24 x 1.5	11	9	16	30
FTLA7G	1.1/2"	15	10	40	55	FTLA7M	M24 x 2	11	9	16	30
FTLA8G	2"	17	14	50	70	FTLA8M	M25 x 1.5	11	9	21	32
						FTLA9M	M27x 1.5	11	9	21	32
						FTLA10M	M30 x 1.5	11	9	21	36
						FTLA11M	M30 x 2	11	9	21	36
						FTLA12M	M33 x 1.5	14	10	27	40
						FTLA13M	M33 x 2	14	10	27	40
						FTLA14M	M35 x 1.5	14	10	27	40
						FTLA15M	M40 x 1.5	12	10	37	50
						FTLA16M	M42 x 3	15	10	37	50
						FTLA17M	M48 x 3	15	10	40	55
						FTLA18M	M60 x 2	17	14	50	70
						FTLA19M	M60 x 4	17	14	50	70

**FFP PRODUCTS ( HYDRAULICS DIVISION )**

17,SAI NIKETAN, CHANDAVARKAR LANE, BORIVALI WEST,  
 MUMBAI 400 092, MAHARASHTRA, INDIA  
 Tel: +91 22 28925607 Fax: +91 22 28904071  
 e-mail: info@ffpproducts.com - http://www.ffpproducts.com