



MATERIALS

Head:
Aluminium alloy

Spin-on cartridge:
Steel

Bypass valve:
Polyamide

Seals:
NBR Nitrile

Indicator housing:
Brass

PRESSURE (ISO 10771-1:2002)

Max working:
1,2 MPa (12 bar)

Test:
1,5 MPa (15 bar)

Bursting:
2,5 MPa (25 bar)

Collapse, differential
for the filter element (ISO 2941):
400 kPa (4 bar)

BYPASS VALVE

Setting:
35 kPa (0,35 bar) \pm 10%

WORKING TEMPERATURE

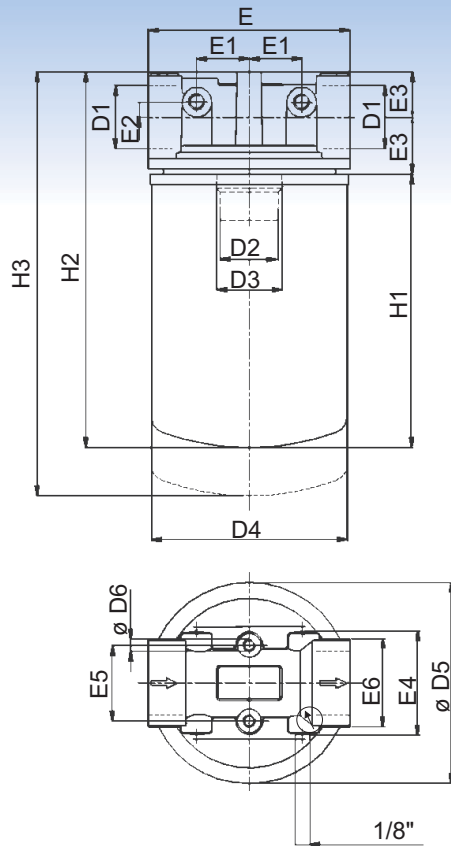
From -25° to +110° C

COMPATIBILITY (ISO 2943:1999)

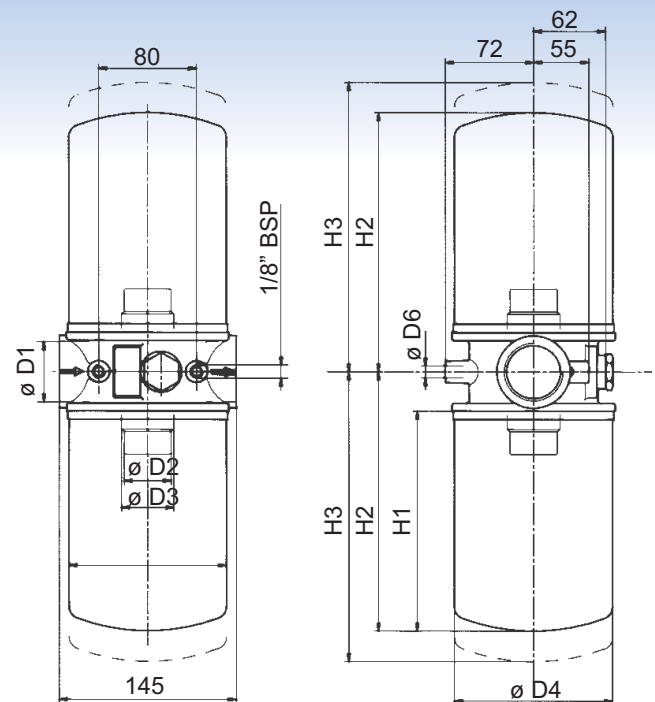
Full with fluids: HH-HL-HM-HV-HTG
(according to ISO 6743/4)

FFP PRODUCTS (HYDRAULICS DIVISION)

17, SAI NIKETAN, CHANDAVARKAR LANE, BORIVALI WEST,
MUMBAI 400 092, MAHARASHTRA, INDIA
Tel: +91 22 28925607 Fax: +91 22 28904071
e-mail: info@ffpproducts.com - <http://www.ffpproducts.com>



FHFL11 & FHFL12



FHFL21 & FHFL31

SPIN ON FILTER HOUSING

	D1	D2	D3	D4	D5	D6	E	E1	E2	E3	E4	E5	E6	H1	H2	H3	kg
FHFL11	3/4"	3/4" BSP	-	96	96	M8	95	20,5	7	20	49	38	37	145	188	208	1.2
FHFL12	3/4"	3/4" BSP	-	96	96	M8	95	20,5	7	20	49	38	37	191	234	254	1.5
FHFL21	1" 1/4	1" 1/2 16-UN	1" 1/4 BSP	129	134	M8	133	35	10	30	64	50	57	181	248	278	1.9
FHFL31	1" 1/2	1" 1/2 16-UN	1" 1/4 BSP	129	-	M10	-	-	-	-	-	-	-	181	216	246	3.5

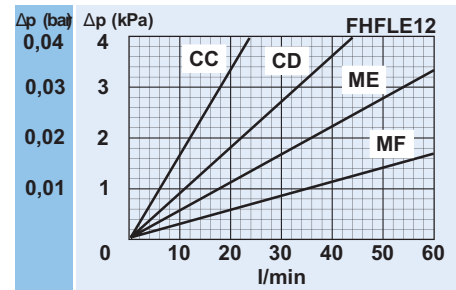
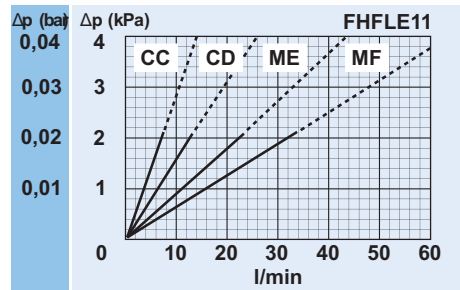
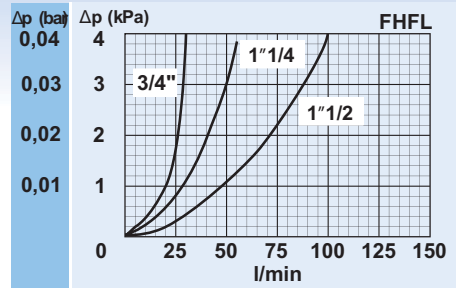
FFP PRODUCTS (HYDRAULICS DIVISION)

17,SAI NIKETAN, CHANDAVARKAR LANE, BORIVALI WEST,
MUMBAI 400 092, MAHARASHTRA, INDIA
Tel: +91 22 28925607 Fax: +91 22 28904071
e-mail: info@ffpproducts.com - <http://www.ffpproducts.com>

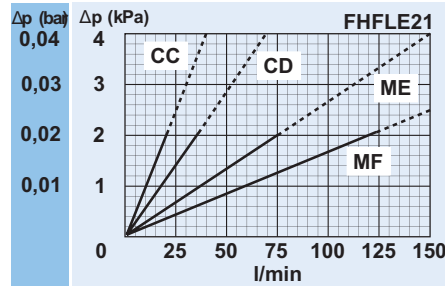
PRESSURE DROP CURVES (Δp)

The "Assembly Pressure Drop (Δp)" is obtained by adding the pressure drop values of the Filter Housing and of the Clean Filter Element corresponding to the considered Flow Rate and it must be lower than 3 kPa (0,03 bar).

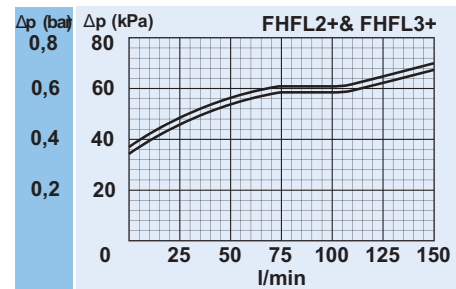
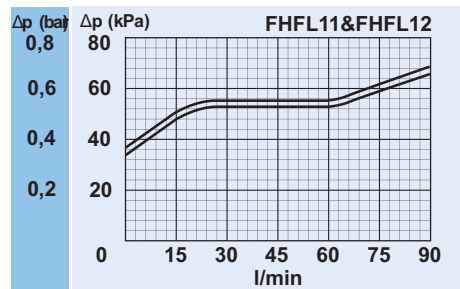
FILTER HOUSING
PRESSURE DROP



CLEAN FILTER ELEMENT
PRESSURE DROP
WITH C+ AND M+ MEDIA



BYPASS VALVE
PRESSURE DROP

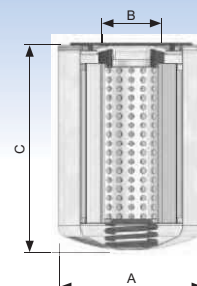


N.B. All the curves have been obtained with mineral oil having a kinematic viscosity 30 cSt and specific gravity 0,9 kg/dm³ for fluids with different features,

FFP PRODUCTS (HYDRAULICS DIVISION)

17, SAI NIKETAN, CHANDAVARKAR LANE, BORIVALI WEST,
MUMBAI 400 092, MAHARASHTRA, INDIA
Tel: +91 22 28925607 Fax: +91 22 28904071
e-mail: info@ffpproducts.com - <http://www.ffpproducts.com>

FILTER ELEMENT						
PART NO	A	B	C	kg	Area (cm ²)	
					Media M+	Media C+
FHFLE11	96,5	3/4" BSP	146	0,70	980	3.305
FHFLE12	96,5	3/4" BSP	191	0,80	1.390	4.745
FHFLE21	129	1" 1/4 BSP	181	1,20	1.940	5.560
FHFLE22	129	1" 1/4 BSP	226	1,40	2.570	7.360



TYPE						ELEMENT		E			
F = FILTER COMPLETE		F	F	F	F						
B = FILTER HOUSING		B	B	B	B						
H	F	L					FAMILY SIZE & LENGTH		H	F	L
NOMINAL SIZE & LENGTH		11	12	21	31						
PORT TYPE											
B = BSP thread		B	B	B	B						
F = SAE flange 3000 psi, metric screws		-	-	-	-						
PORT SIZE (quote "D1")											
06 = 3/4		06	06	-	-						
10 = 1" 1/4		-	-	10	-						
12 = 1" 1/2		-	-	-	12						
BYPASS VALV E											
W = without		W	W	W	W						
A = 35 kPa (0,35 bar)		A	A	A	A						
SEALS						SEALS					
N = NBR Nitrile		N	N	N	N	N = NBR					
F = FKM Fluoroelastomer		F	F	F	F	F = FKM					
FILTER MEDIA						FILTER MEDIA					
CC = cellulose 10µm β>2		CC	CC	CC	CC	CC = cell. 10µm					
CD = cellulose 25µm β>2		CD	CD	CD	CD	CD = cell. 25µm					
ME = metal wire mesh 60 µm		ME	ME	ME	ME	ME = w. mesh µ60m					
MF = metal wire mesh 90 µm		MF	MF	MF	MF	MF = w. mesh µ90 m					
CLOGGING INDICATOR											
06 = 1/8" seat, plugged		06	06	06	06						
10 = vacuum gauge, bottom connection		10	10	10	10						
91 = SPDT, vacuum switch		91	91	91	91						

FFP PRODUCTS (HYDRAULICS DIVISION)

17,SAI NIKETAN, CHANDAVARKAR LANE, BORIVALI WEST,
MUMBAI 400 092, MAHARASHTRA, INDIA
Tel: +91 22 28925607 Fax: +91 22 28904071
e-mail: info@ffpproducts.com - http://www.ffpproducts.com