

Suction filters

FCR



MATERIALS

Housing & Cover :
Anodized aluminum alloy

Seals:
Nitrile (buna n)

Indicator housing:
Brass

Bypass valve :
Polyamide 66

PRESSURE

Collapse, differential
for the filter element : 1 MPa (10 bar)

BYPASS VALVE
35 kPa (0.35 bar)+/- 10%

WORKING TEMPERATURE

From -25° to +110° C

COMPATIBILITY

Full with fluids:
HH-HL-HM-HR-HV-HG



VISUAL CLOGGING INDICATOR

A visual clogging indicator allows monitoring of the element condition and provides maximum element life by indicating the exact time for the element replacement.

RIGID CONSTRUCTION

The rigid filter housing makes the CFR series filter suitable for applications requiring highest reliability.

FLEXIBILITY OF ASSEMBLY

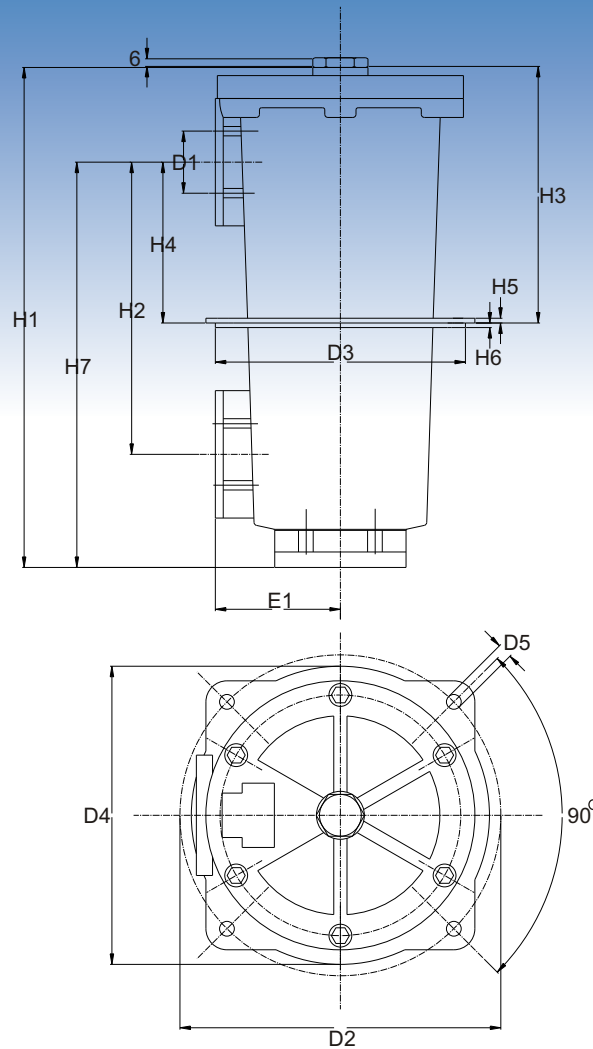
The second inlet port, supplied plugged permits to solve special installation needs.

NO LEAKS

The end cap with captive O-ring ensures a perfect seal between filter element and the bowl.

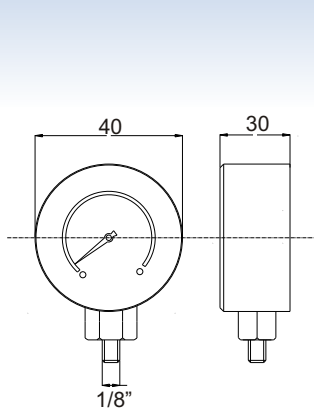
FFP PRODUCTS (HYDRAULICS DIVISION)

17,SAI NIKETAN, CHANDAVARKAR LANE, BORIVALI WEST,
MUMBAI 400 092, MAHARASHTRA, INDIA
Tel: +91 22 28925607 Fax: +91 22 28904071
e-mail: info@ffpproducts.com - <http://www.ffpproducts.com>

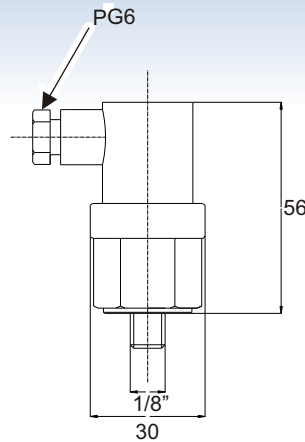


Tank cut out = D3 + 1mm

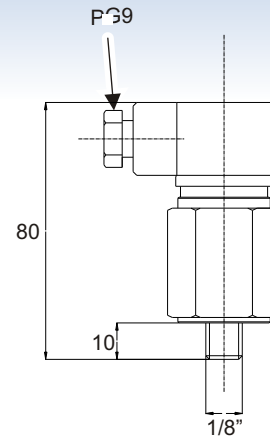
FILTER HOUSING															
Part No.	D1	D2	D3	D4	D5	E1	H1	H2	H3	H4	H5	H6	H7	R	kg
FCR11	1/2"	95	83,5	90	5,5	43	160	62,5	96	31,5	4	3	96	105	1.3
FCR21	3/4"	138	121	128	6,5	57	191	105	100	52	6	3	145	110	2.6
FCR31	1"	154	135	147	6,5	67	250	140	117	63	8	4	197	155	3.7
FCR41	1 1/2"	180	162	174	8,5	82	323	177	155	82	8	4	269	240	6.5
FCR51	2 1/2"	275	237	254	10,5	117,5	420	218	192	91	10	8	320	275	14.2
FCR61	3 1/2"	275	237	300	14,5	178	673	-	248	130	10	5	-	525	49.0



Series F11 (bottom connection)
Vacuum gauge,



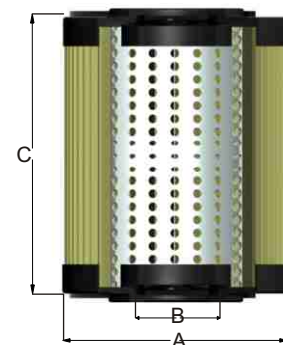
Series F90 (N.O. contacts) & series F92 (N.C. contacts):
vacuum switch,
max voltage 220 V ca 50-60 Hz
max current 0,5A resistive, 0,25A inductive
switching power 100 VA,
setting 30 kPa (0.3 bar)



Series F91:
SPDT, vacuum switch
max voltage 250V - 50Hz
max current 6A resistive, 1A inductive
protection IP65
setting 20 kPa (0.2 bar)

FILTER ELEMENT

Part No.	A	B	C	Kg	Media M+
EFCR11	52	28/24	70	0,10	245
EFCR21	70	34	85	0,20	460
EFCR31	70	34	130	0,25	740
EFCR41	99	51	211	0,70	2.330
EFCR51	130	74	251	1,50	3.340
EFCR61	130	74/85	500	2,00	9.860

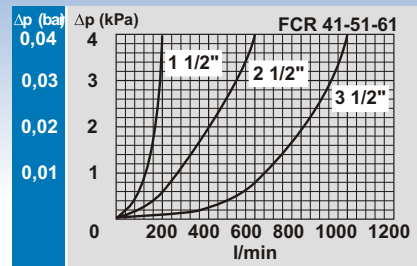
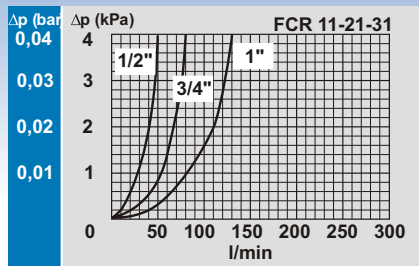


FFP PRODUCTS (HYDRAULICS DIVISION)

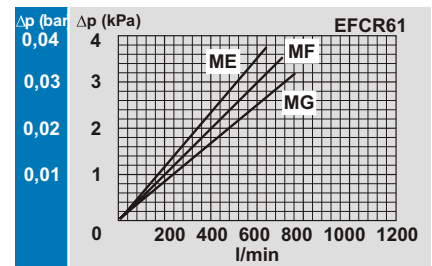
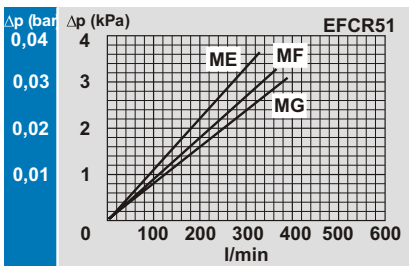
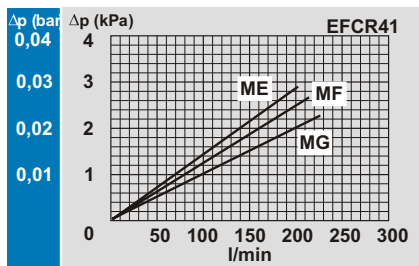
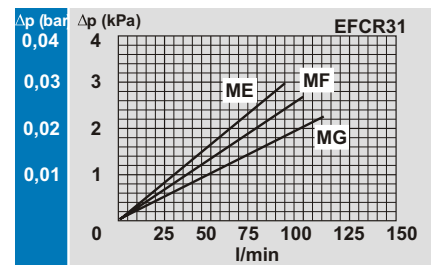
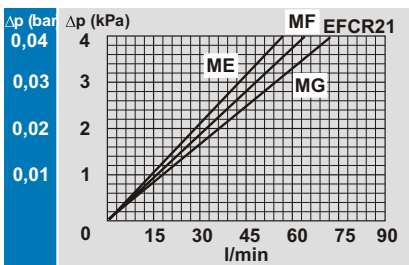
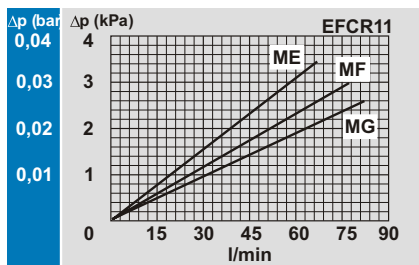
17, SAI NIKETAN, CHANDAVARKAR LANE, BORIVALI WEST,
MUMBAI 400 092, MAHARASHTRA, INDIA
Tel: +91 22 28925607 Fax: +91 22 28904071
e-mail: info@ffpproducts.com - <http://www.ffpproducts.com>

The assembly Pressure drop(Δp) is obtained by adding the pressure drop values of the filter housing and the clean filter element corresponding to the considered flow rate lower than 50 kPa (0.5 bar).

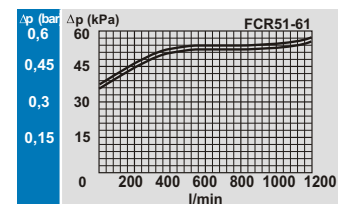
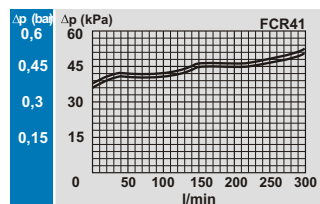
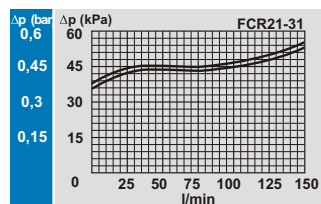
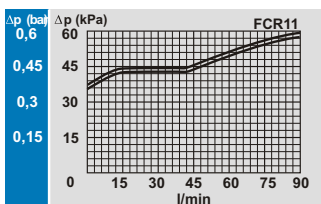
FILTER HOUSING PRESSURE DROP



CLEAN FILTER ELEMENT PRESSURE DROP WITH F+,C+ & ME MEDIA



BYPASS VALVE PRESSURE DROP



Disclaimer : All the curves obtained are with mineral oil of kinematic viscosity of 30 cSt and specific gravity of 0.9 kg/dm². All curves are obtained at test done at FFP PRODUCTS INDIA (TESTING DIVISION).

FFP PRODUCTS (HYDRAULICS DIVISION)

17,SAI NIKETAN, CHANDAVARKAR LANE, BORIVALI WEST,
MUMBAI 400 092, MAHARASHTRA, INDIA
Tel: +91 22 28925607 Fax: +91 22 28904071
e-mail: info@ffpproducts.com - <http://www.ffpproducts.com>

<input type="checkbox"/> TYPE										
C = FILTER COMPLETE		F	F	F	F	F	F			
B = FILTER HOUSING		B	B	B	B	B	B	ELEMENT	E	
<input checked="" type="checkbox"/> C	<input type="checkbox"/> R	FAMILY NOMINAL SIZE & LENGTH						FAMILY SIZE & LENGTH		
		11	21	31	41	51	61	F	C	R
<input type="checkbox"/> PORT TYPE										
B= BSP THREAD		B	B	B	B	B				
N = NPT THREAD		N	N	N	N	N				
S = SAE THREAD		S	S	S	S	S				
F = SAE FLANGE 3000 PSI METRIC SCREWS				F	F	F	F			
D = SAE FLANGE 3000 PSI UNC SCREWS				D	D	D	D			
<input type="checkbox"/> PORT SIZE										
04 = 1/2"		04								
06 = 3/4"			06							
08 = 1"				08						
12 = 1.1/2"					12					
20 = 2.1/2"						20				
28 = 3.1/2"							28			
<input type="checkbox"/> BY PASS VALVE										
W = WITHOUT		W	W	W	W	W	W			
A = 35 kPa (0.35 bar)		A	A	A	A	A	A			
<input type="checkbox"/> SEALS								SEALS		
N = NBR NITRILE		N	N	N	N	N	N	N = NBR		
F = FKM FLUOROELASTOMER		F	F	F	F	F	F	F = FKM		
<input type="checkbox"/> FILTER MEDIA								FILTER MEDIA		
ME= METALWIREMESH 60µM		ME	ME	ME	ME	ME	ME	ME = w. mesh 60µM		
MF= METALWIREMESH 90µM		MF	MF	MF	MF	MF	MF	MF = w. mesh 90µM		
MG= METALWIREMESH250 µM		MG	MG	MG	MG	MG	MG	MG =w. mesh250 µM		
<input type="checkbox"/> CLOGGING INDICATOR										
08 = 1/8" SEAT,PLUGGED		08	08	08	08	08	08			
11 = VACUUM GAUGE, BOTTOM CONNECTION		11	11	11	11	11	11			
90 = VACUUM SWITCH, N.O.CONTACTS		90	90	90	90	90	90			
91 = SPDT, VACUUM SWITCH		91	91	91	91	91	91			
92 = VACUUM SWITCH, N.C. CONTACTS		92	92	92	92	92	92			
<input checked="" type="checkbox"/> ACCESSORIES										
X = NO ACCESSORY		X	X	X	X	X	X			

FFP PRODUCTS (HYDRAULICS DIVISION)

17,SAI NIKETAN, CHANDAVARKAR LANE, BORIVALI WEST,
MUMBAI 400 092, MAHARASHTRA, INDIA
Tel: +91 22 28925607 Fax: +91 22 28904071
e-mail: info@ffpproducts.com - http://www.ffpproducts.com