

Suction & Return filter

FAR



MATERIALS

Housing:
Die cast alluminium alloy

Cover:
Die cast alluminium alloy

Seals:
Nitrile (buna n)

Indicator housing:
Brass

By-pass valve:
Polyamide 66



PRESSURE

Max working:
1.5 MPa (15 bar)

Test:
2.4 MPa (24 bar)

Bursting:
4.5 MPa (45 bar)

Collapse, differential
for the filter element : 1 MPa (10 bar)

BYPASS VALVE

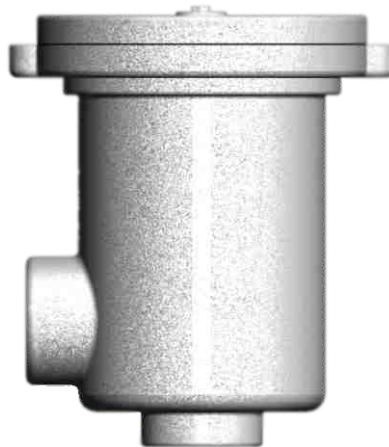
170 kPa (1.7 bar)+/- 10%

WORKING TEMPERATURE

From -25° to +110° C

COMPATIBILITY

Full with fluids:
HH-HL-HM-HR-HV-HG



VISUAL CLOGGING INDICATOR

A visual clogging indicator allows monitoring of the element condition and provides maximum element life by indicating the exact time for the element replacement.

EASY REPLACEMENT

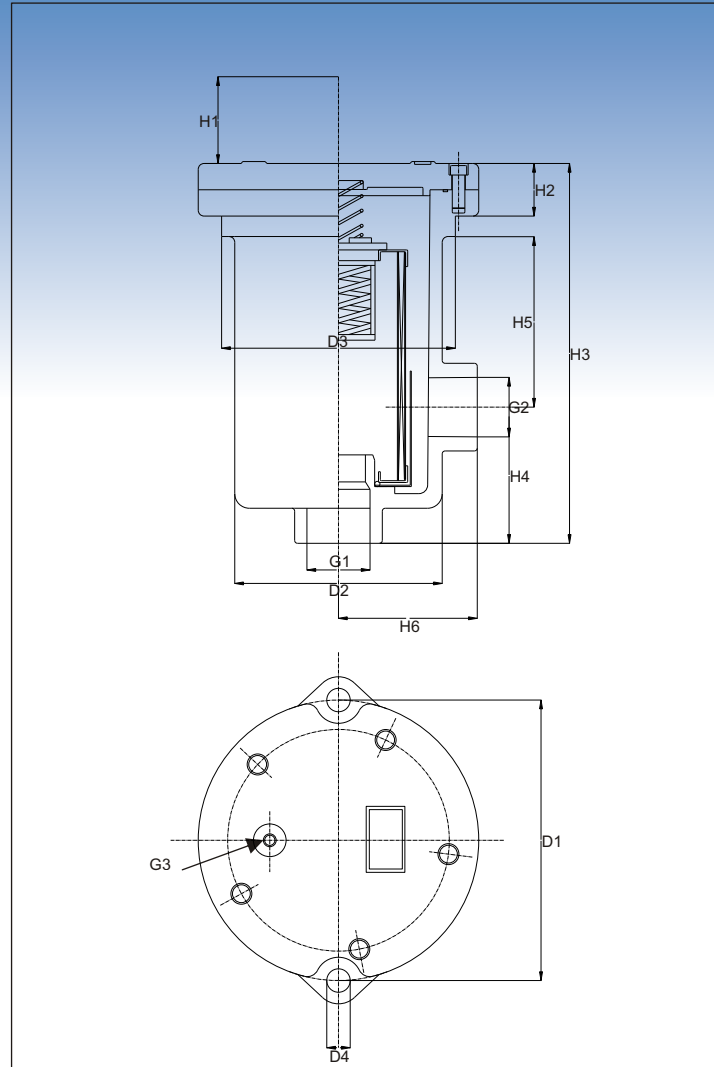
The top end cap helps an easy removal of the element and a complete cleaning of the bowl.

NO LEAKS

The top end cap with captive O-ring ensures a perfect seal between filter housing and the cover.

FFP PRODUCTS (HYDRAULICS DIVISION)

17,SAI NIKETAN, CHANDAVARKAR LANE, BORIVALI WEST,
MUMBAI 400 092, MAHARASHTRA, INDIA
Tel: +91 22 28925607 Fax: +91 22 28904071
e-mail: info@ffpproducts.com - <http://www.ffpproducts.com>



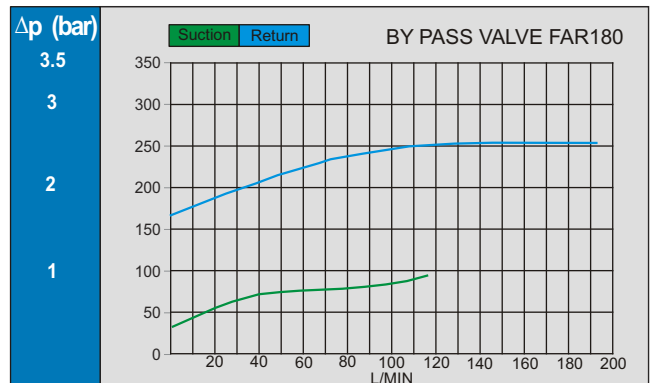
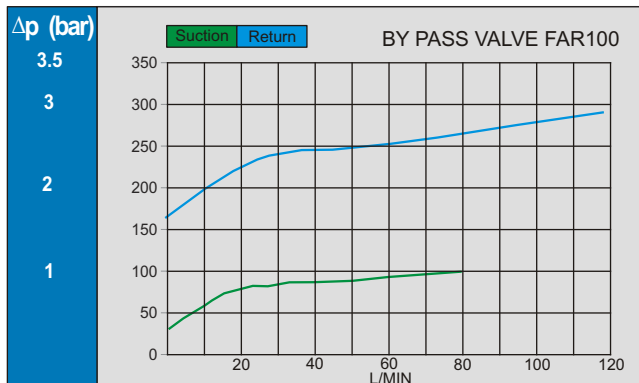
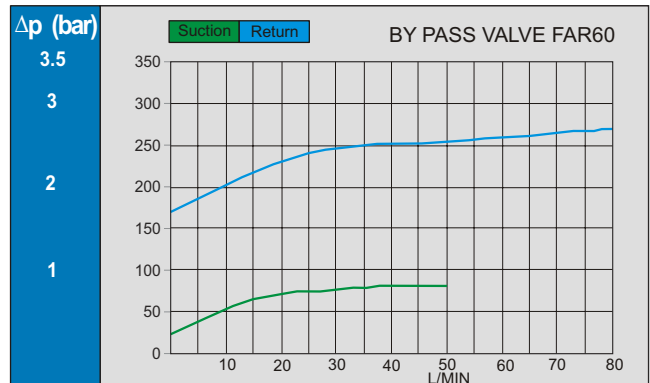
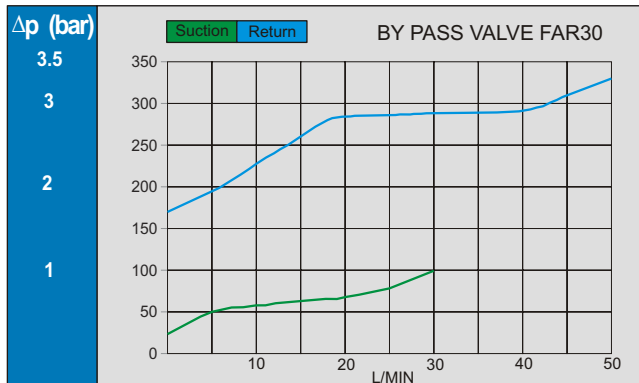
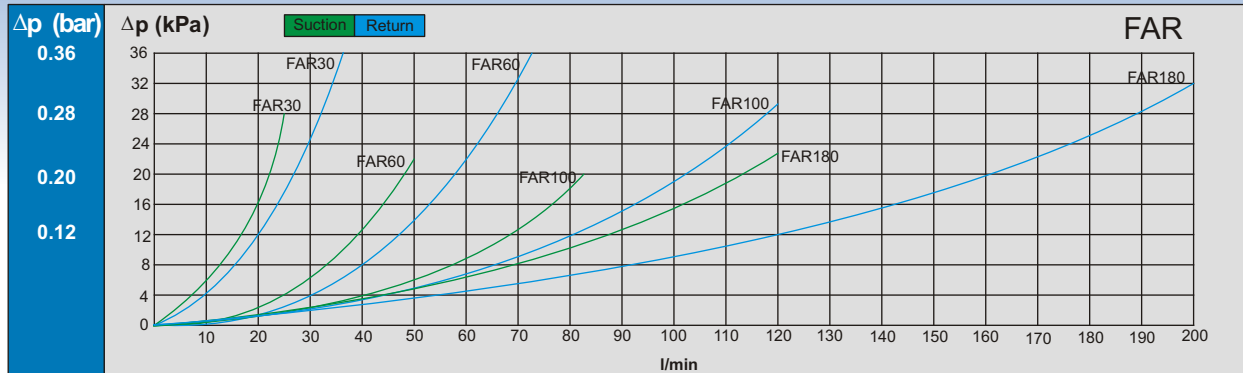
FILTER HOUSING														
Part No.	D1	D2	D3	D4	H1	H2	H3	H4	H5	H6	G1 (BSP)	G2 (BSP)	G3 (BSPT)	kg
FAR30	100	71	80	7.5	110	19	125	40	66	48	½"	½"	1/8"	0.700
FAR60	125	88	106	9.5	130	27	151	52	72	59	¾"	¾"	1/8"	1.200
FAR100	125	88	106	9.5	175	27	195	52	116	59	1"	1"	1/8"	1.450
FAR180	175	138	147	9.5	255	33	275	62	180	83.5	1.1/4"	1.1/4"	1/8"	3.500

FFP PRODUCTS (HYDRAULICS DIVISION)

17,SAI NIKETAN, CHANDAVARKAR LANE, BORIVALI WEST,
MUMBAI 400 092, MAHARASHTRA, INDIA
Tel: +91 22 28925607 Fax: +91 22 28904071
e-mail: info@ffpproducts.com - http://www.ffpproducts.com

The assembly Pressure drop () is obtained by adding the pressure drop values of the filter housing and the clean filter element corresponding to the considered flow rate lower than 50 kPa (0.5 bar).

FILTER HOUSING PRESSURE DROP
(mainly depending on the port size)



Disclaimer : All the curves obtained are with mineral oil of kinematic viscosity of 30 cSt and specific gravity of 0.9 kg/dm2. All curves are obtained at test done at FFP PRODUCTS INDIA (TESTING DIVISION).

FFP PRODUCTS (HYDRAULICS DIVISION)

17,SAI NIKETAN, CHANDAVARKAR LANE, BORIVALI WEST,
MUMBAI 400 092, MAHARASHTRA, INDIA
Tel: +91 22 28925607 Fax: +91 22 28904071
e-mail: info@ffpproducts.com - <http://www.ffpproducts.com>

FAR		180		R250		F		B	
Nominal Size complete filter		Filtration Elements		Seals		By-pass valve			
30		-	Without filtration elements	N	Nitrile / Buna-N	W	Without by-pass		
60		C10	10 µm Resin treated cellulose βx2	F	Fluroelastomer	B	Return by-pass	Δp 1,7 bar	
100		C25	25 µm Resin treated cellulose βx2			S	Suction by-pass	Δp 0,25 bar	
180		F03	3 µm Inorganic fibre βx200						
		F06	6 µm Inorganic fibre βx200						
		F10	10 µm Inorganic fibre βx200						
		F25	25 µm Inorganic fibre βx200						
		R60	60 µm Square mesh (AISI 304)						
		R90	90 µm Square mesh (AISI 304)						
		R125	125 µm Square mesh (AISI 304)						
		R250	250 µm Square mesh (AISI 304)						

FFP PRODUCTS (HYDRAULICS DIVISION)

17, SAI NIKETAN, CHANDAVARKAR LANE, BORIVALI WEST,
MUMBAI 400 092, MAHARASHTRA, INDIA
Tel: +91 22 28925607 Fax: +91 22 28904071
e-mail: info@ffpproducts.com - <http://www.ffpproducts.com>