

TECHNICAL DATA:

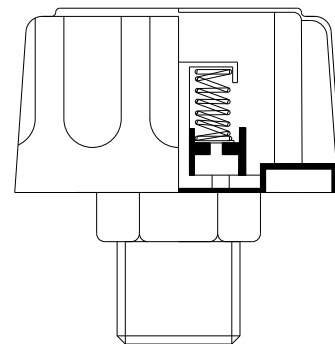
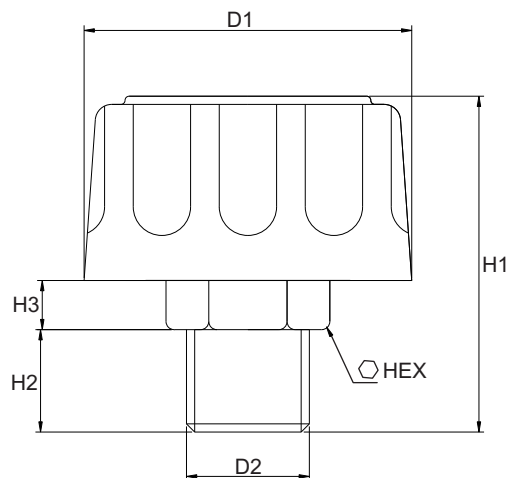
Cap : Chrome plated steel.
 Connector : Galvanized steel.
 Pressure valve : on request.
 Working temperature : -25° to +110°C
 Seals : Nitrile (buna N).

FILTRATION :

Filtration : 40 microns foam.
 Celulose media : on request.

AIR FLOW RATES :

5 CFM & 25CFM.



**PRESSURIZED VERSION
 ADD 'P' AT END OF PART NO**

HYDRAULIC ACCESSORIES

Part No.	Filtr. μ	Flow rate (l/min)	D1	D2	HEX	H1	H2	H3	kg	Spare element
BH 6	10	150	47	1/4" BSP	19	45	12	7	-	-
BH 8	10	300	47	3/8" BSP	19	45	12	7	-	-
BH 10	10	450	76	1/2" BSP	35	66	12	7	-	-
BH 12	10	750	76	3/4" BSP	35	66	16	7	-	-
BH 16	10	850	76	1" BSP	38	66	16	7	-	-
BH 6N	10	150	47	1/4" NPT	19	45	12	7	-	-
BH 8N	10	300	47	3/8" NPT	19	45	12	7	-	-
BH 10N	10	450	76	1/2" NPT	35	66	12	7	-	-
BH 12 N	10	750	76	3/4" NPT	35	66	16	7	-	-
BH 16N	10	850	76	1" NPT	38	66	16	7	-	-

All dimensions are in mm or otherwise stated

FFP PRODUCTS (HYDRAULICS DIVISION)

17, SAI NIKETAN, CHANDAVARKAR LANE, BORIVALI WEST,
 MUMBAI 400 092, MAHARASHTRA, INDIA
 Tel: +91 22 28925607 Fax: +91 22 28904071
 e-mail: info@ffpproducts.com - http://www.ffpproducts.com